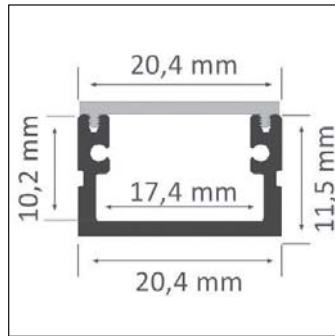


LEUCHTEN

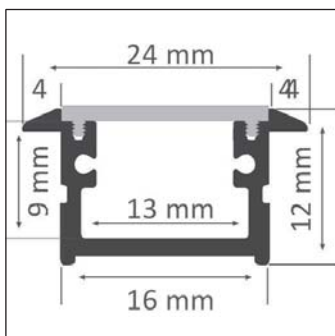
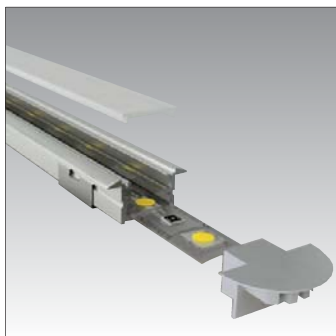
LED-Lichtbänder

Unsere LED-Lichtbänder sind mit hochwertigen LED-Flexbändern bestückt (>100lm pM) (600lm 4,3W pM / 1200lm 8.9W pM / 24V) Die Profile sind aus Aluminium natur eloxiert. Die Diffusoren sind aus PMMA (Vergilbt nicht). Die Preise verstehen sich inkl. Stirnseiten, Befestigungsmaterial, Diffusor sowie Zuschnitt und 5m Anschlusskabel 2x0.75m² (Einspeisung des LED-Bandes alle 5 Meter) IP20 (höherer IP-Schutz auf Anfrage)



LED Lichtband Zürich

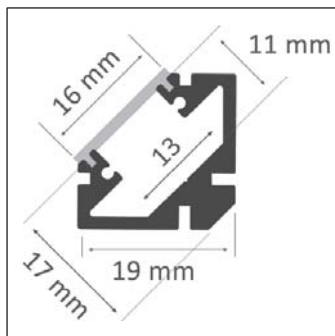
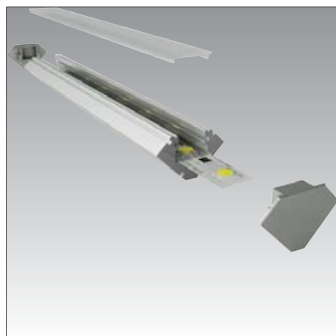
Artikel	Watt p. M.	Masse in mm	Länge in M	K	Preis CHF
8061.073K	4.3W	20.4x11.5	1	3'000	265.00
8061.074K	4.3W	20.4x11.5	1	4'000	265.00
8061.076K	3.9W	20.4x11.5	1	6'500	265.00
8061.143K	8.9W	20.4x11.5	1	3'000	270.00
8061.144K	8.9W	20.4x11.5	1	4'000	270.00
8061.146K	8.1W	20.4x11.5	1	6'500	270.00
8061.14RG	8.9W	20.4x11.5	1	RGB	415.00
8062.073K	4.3W	20.4x11.5	2	3'000	345.00
8062.074K	4.3W	20.4x11.5	2	4'000	345.00
8062.076K	3.9W	20.4x11.5	2	6'500	345.00
8062.143K	8.9W	20.4x11.5	2	3'000	355.00
8062.144K	8.9W	20.4x11.5	2	4'000	355.00
8062.146K	8.1W	20.4x11.5	2	6'500	355.00
8062.14RG	8.9W	20.4x11.5	2	RGB	545.00
8063.073K	4.3W	20.4x11.5	3	3'000	425.00
8063.074K	4.3W	20.4x11.5	3	4'000	425.00
8063.076K	3.9W	20.4x11.5	3	6'500	425.00
8063.143K	8.9W	20.4x11.5	3	3'000	445.00
8063.144K	8.9W	20.4x11.5	3	4'000	445.00
8063.146K	8.1W	20.4x11.5	3	6'500	445.00
8063.14RG	8.9W	20.4x11.5	3	RGB	675.00



LED Lichtband Bern

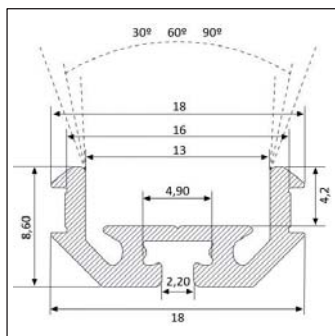
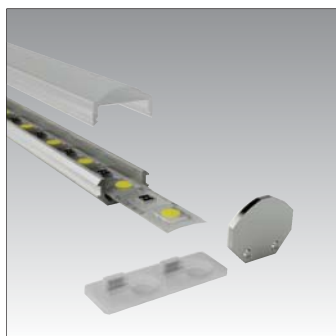
Artikel	Watt p. M.	Masse in mm	Länge in M	K	Preis CHF
8071.073K	4.3W	16.0x12.0	1	3'000	260.00
8071.074K	4.3W	16.0x12.0	1	4'000	260.00
8071.076K	3.9W	16.0x12.0	1	6'500	260.00
8071.143K	8.9W	16.0x12.0	1	3'000	265.00
8071.144K	8.9W	16.0x12.0	1	4'000	265.00
8071.146K	8.1W	16.0x12.0	1	6'500	265.00
8071.14RG	8.9W	16.0x12.0	1	RGB	415.00
8072.073K	4.3W	16.0x12.0	2	3'000	340.00
8072.074K	4.3W	16.0x12.0	2	4'000	340.00
8072.076K	3.9W	16.0x12.0	2	6'500	340.00
8072.143K	8.9W	16.0x12.0	2	3'000	350.00
8072.144K	8.9W	16.0x12.0	2	4'000	350.00
8072.146K	8.1W	16.0x12.0	2	6'500	350.00
8072.14RG	8.9W	16.0x12.0	2	RGB	540.00
8073.073K	4.3W	16.0x12.0	3	3'000	420.00
8073.074K	4.3W	16.0x12.0	3	4'000	420.00
8073.076K	3.9W	16.0x12.0	3	6'500	420.00
8073.143K	8.9W	16.0x12.0	3	3'000	440.00
8073.144K	8.9W	16.0x12.0	3	4'000	440.00
8073.146K	8.1W	16.0x12.0	3	6'500	440.00
8073.14RG	8.9W	16.0x12.0	3	RGB	670.00

LED-Lichtbänder



LED Lichtband Basel - Eckprofil

Artikel	Watt p. M.	°	Länge in M	K	Preis CHF
8081.073K	4.3W	45	1	3'000	275.00
8081.074K	4.3W	45	1	4'000	275.00
8081.076K	3.9W	45	1	6'500	275.00
8081.143K	8.9W	45	1	3'000	275.00
8081.144K	8.9W	45	1	4'000	275.00
8081.146K	8.1W	45	1	6'500	275.00
8081.14RG	8.9W	45	1	RGB	420.00
8082.073K	4.3W	45	2	3'000	355.00
8082.074K	4.3W	45	2	4'000	355.00
8082.076K	3.9W	45	2	6'500	355.00
8082.143K	8.9W	45	2	3'000	370.00
8082.144K	8.9W	45	2	4'000	370.00
8082.146K	8.1W	45	2	6'500	370.00
8082.14RG	8.9W	45	2	RGB	560.00
8083.073K	4.3W	45	3	3'000	450.00
8083.074K	4.3W	45	3	4'000	450.00
8083.076K	3.9W	45	3	6'500	450.00
8083.143K	8.9W	45	3	3'000	470.00
8083.144K	8.9W	45	3	4'000	470.00
8083.146K	8.1W	45	3	6'500	470.00
8083.14RG	8.9W	45	3	RGB	700.00

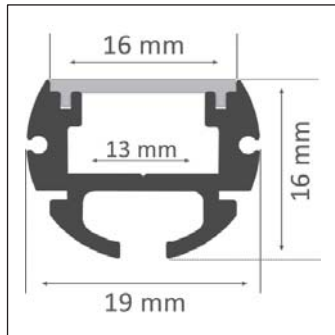
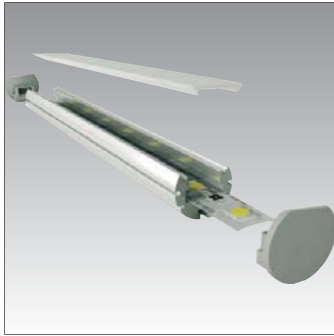


LED Lichtband Lugano

Artikel	Watt p. M.	Masse in mm	Länge in M	K	Preis CHF
8091.073K	4.3W	18.0x8.6	1	3'000	280.00
8091.074K	4.3W	18.0x8.6	1	4'000	280.00
8091.076K	3.9W	18.0x8.6	1	6'500	280.00
8091.143K	8.9W	18.0x8.6	1	3'000	285.00
8091.144K	8.9W	18.0x8.6	1	4'000	285.00
8091.146K	8.1W	18.0x8.6	1	6'500	285.00
8091.14RG	8.9W	18.0x8.6	1	RGB	430.00
8092.073K	4.3W	18.0x8.6	2	3'000	365.00
8092.074K	4.3W	18.0x8.6	2	4'000	365.00
8092.076K	3.9W	18.0x8.6	2	6'500	365.00
8092.143K	8.9W	18.0x8.6	2	3'000	380.00
8092.144K	8.9W	18.0x8.6	2	4'000	380.00
8092.146K	8.1W	18.0x8.6	2	6'500	380.00
8092.14RG	8.9W	18.0x8.6	2	RGB	570.00
8093.073K	4.3W	18.0x8.6	3	3'000	465.00
8093.074K	4.3W	18.0x8.6	3	4'000	465.00
8093.076K	3.9W	18.0x8.6	3	6'500	465.00
8093.143K	8.9W	18.0x8.6	3	3'000	480.00
8093.144K	8.9W	18.0x8.6	3	4'000	480.00
8093.146K	8.1W	18.0x8.6	3	6'500	480.00
8093.14RG	8.9W	18.0x8.6	3	RGB	715.00

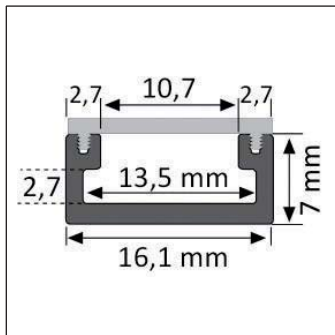
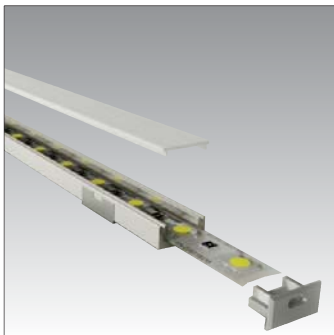


LED-Lichtbänder



LED Lichtband Lausanne

Artikel	Watt p. M.	Masse in mm	Länge in M	K	Preis CHF
8111.073K	4.3W	19.0x16.0	1	3'000	275.00
8111.074K	4.3W	19.0x16.0	1	4'000	275.00
8111.076K	3.9W	19.0x16.0	1	6'500	275.00
8111.143K	8.9W	19.0x16.0	1	3'000	275.00
8111.144K	8.9W	19.0x16.0	1	4'000	275.00
8111.146K	8.1W	19.0x16.0	1	6'500	275.00
8111.14RG	8.9W	19.0x16.0	1	RGB	420.00
8112.073K	4.3W	19.0x16.0	2	3'000	360.00
8112.074K	4.3W	19.0x16.0	2	4'000	360.00
8112.076K	3.9W	19.0x16.0	2	6'500	360.00
8112.143K	8.9W	19.0x16.0	2	3'000	370.00
8112.144K	8.9W	19.0x16.0	2	4'000	370.00
8112.146K	8.1W	19.0x16.0	2	6'500	370.00
8112.14RG	8.9W	19.0x16.0	2	RGB	560.00
8113.073K	4.3W	19.0x16.0	3	3'000	450.00
8113.074K	4.3W	19.0x16.0	3	4'000	450.00
8113.076K	3.9W	19.0x16.0	3	6'500	450.00
8113.143K	8.9W	19.0x16.0	3	3'000	465.00
8113.144K	8.9W	19.0x16.0	3	4'000	465.00
8113.146K	8.1W	19.0x16.0	3	6'500	465.00
8113.14RG	8.9W	19.0x16.0	3	RGB	700.00

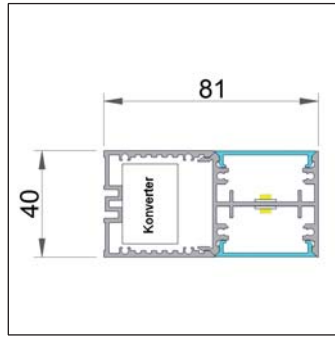


LED Lichtband Zug

Artikel	Watt p. M.	Masse in mm	Länge in M	K	Preis CHF
8121.073K	4.3W	18.0x8.6	1	3'000	265.00
8121.074K	4.3W	18.0x8.6	1	4'000	265.00
8121.076K	3.9W	18.0x8.6	1	6'500	265.00
8121.143K	8.9W	18.0x8.6	1	3'000	270.00
8121.144K	8.9W	18.0x8.6	1	4'000	270.00
8121.146K	8.1W	18.0x8.6	1	6'500	270.00
8121.14RG	8.9W	18.0x8.6	1	RGB	415.00
8122.073K	4.3W	18.0x8.6	2	3'000	345.00
8122.074K	4.3W	18.0x8.6	2	4'000	345.00
8122.076K	3.9W	18.0x8.6	2	6'500	345.00
8122.143K	8.9W	18.0x8.6	2	3'000	355.00
8122.144K	8.9W	18.0x8.6	2	4'000	355.00
8122.146K	8.1W	18.0x8.6	2	6'500	355.00
8122.14RG	8.9W	18.0x8.6	2	RGB	545.00
8123.073K	4.3W	18.0x8.6	3	3'000	425.00
8123.074K	4.3W	18.0x8.6	3	4'000	425.00
8123.076K	3.5W	18.0x8.6	3	6'500	425.00
8123.143K	8.9W	18.0x8.6	3	3'000	445.00
8123.144K	8.9W	18.0x8.6	3	4'000	445.00
8123.146K	8.1W	18.0x8.6	3	6'500	445.00
8123.14RG	8.9W	18.0x8.6	3	RGB	675.00

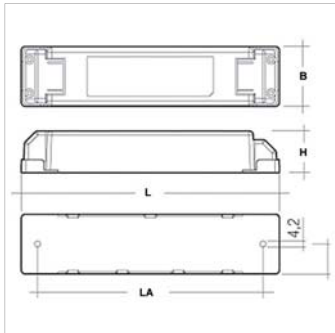


LED-Lichtbänder / Konverter



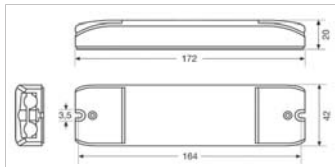
LED Lichtband Thun - Direkt/Indirekt - inkl. Konverter

Artikel	Watt p. M.	Masse in mm	Länge in M	K	Preis CHF
8101.073K	4.3W	81.0x40.0	1	3'000	445.00
8101.074K	4.3W	81.0x40.0	1	4'000	445.00
8101.076K	3.8W	81.0x40.0	1	6'500	445.00
8101.143K	8.9W	81.0x40.0	1	3'000	450.00
8101.144K	8.9W	81.0x40.0	1	4'000	450.00
8101.146K	8.1W	81.0x40.0	1	6'500	450.00
8101.14RG	8.9W	81.0x40.0	1	RGB	945.00
8102.073K	4.3W	81.0x40.0	2	3'000	890.00
8102.074K	4.3W	81.0x40.0	2	4'000	890.00
8102.076K	3.9W	81.0x40.0	2	6'500	890.00
8102.143K	8.9W	81.0x40.0	2	3'000	900.00
8102.144K	8.9W	81.0x40.0	2	4'000	900.00
8102.146K	8.1W	81.0x40.0	2	6'500	900.00
8102.14RG	8.9W	81.0x40.0	2	RGB	1'490.00
8103.073K	4.3W	81.0x40.0	3	3'000	1'335.00
8103.074K	4.3W	81.0x40.0	3	4'000	1'335.00
8103.076K	3.9W	81.0x40.0	3	6'500	1'335.00
8103.143K	8.9W	81.0x40.0	3	3'000	1'350.00
8103.144K	8.9W	81.0x40.0	3	4'000	1'350.00
8103.146K	8.1W	81.0x40.0	3	6'500	1'350.00
8103.14RG	8.9W	81.0x40.0	3	RGB	1'980.00



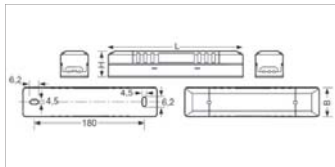
Konstantspannungs-Konverter - IP20 230-24V

Artikel	W	LxBxH mm	LA mm	CHF
KSPK24035	3-35	185x43x30	161.6	76.00
KSPK24060	5-60	254x45x35	230	102.00
KSPK24100	10-100	270x63x40.5	246	151.00
KSPK24150	20-150	270x63x40.5	246	250.00



Konstantspannungs-Dimmer - 1-Kanal DALI Dim - IP20 Nur mit Konverter einsetzbar (KSPK)

Artikel	W	LxBxH mm	LA mm	Dimmb.	CHF
KSPDIMD120	12	172x42x20	164	0.1-100%	160.00



Konstantspannungs-Konverter - 4-Kanal DALI Dim - IP20

Artikel	W	LxBxH mm	LA mm	Dimmb.	CHF
KSPK4K75	0-75	220x46.2x43.6	160	0-100%	265.00



RGB Kontroller Kit - IP20

Artikel	W	LxBxH mm	Beschrieb	CHF
f99054	120	240x60x49	Master mit Trafo/ Fernbedienung/ Empfänger	470.00
f99055	120	240x60x49	Slave	293.00

• Preise exkl. MWST und VRG •

Bestellung **FAX - 031 720 16 26**

Mail - info@fram-licht.ch

Firma: _____
 Kontakt Person: _____
 Adresse: _____

Kommission: _____
 Lieferadresse: _____
 Liefertermin: _____

Artikel Nummer	Artikelbeschreibung	Watt	Länge in M	Anzahl Stück	Total CHF
8061.073K	20.4x11.5 mm / 3'000K	4.3	1		
8061.074K	20.4x11.5 mm / 4'000K	4.3	1		
8061.076K	20.4x11.5 mm / 6'500K	3.9	1		
8061.143K	20.4x11.5 mm / 3'000K	8.9	1		
8061.144K	20.4x11.5 mm / 4'000K	8.9	1		
8061.146K	20.4x11.5 mm / 6'500K	8.1	1		
8061.14RG	20.4x11.5 mm / RGB	8.9	1		
8062.073K	20.4x11.5 mm / 3'000K	4.3	2		
8062.074K	20.4x11.5 mm / 4'000K	4.3	2		
8062.076K	20.4x11.5 mm / 6'500K	3.9	2		
8062.143K	20.4x11.5 mm / 3'000K	8.9	2		
8062.144K	20.4x11.5 mm / 4'000K	8.9	2		
8062.146K	20.4x11.5 mm / 6'500K	8.1	2		
8062.14RG	20.4x11.5 mm / RGB	8.9	2		
8063.073K	20.4x11.5 mm / 3'000K	4.3	3		
8063.074K	20.4x11.5 mm / 4'000K	4.3	3		
8063.076K	20.4x11.5 mm / 6'500K	3.9	3		
8063.143K	20.4x11.5 mm / 3'000K	8.9	3		
8063.144K	20.4x11.5 mm / 4'000K	8.9	3		
8063.146K	20.4x11.5 mm / 6'500K	8.1	3		
8063.14RG	20.4x11.5 mm / RGB	8.9	3		
8071.073K	16.0x12.0 mm / 3'000K	4.3	1		
8071.074K	16.0x12.0 mm / 4'000K	4.3	1		
8071.076K	16.0x12.0 mm / 6'500K	3.9	1		
8071.143K	16.0x12.0 mm / 3'000K	8.9	1		
8071.144K	16.0x12.0 mm / 4'000K	8.9	1		
8071.146K	16.0x12.0 mm / 6'500K	8.1	1		
8071.14RG	16.0x12.0 mm / RGB	8.9	1		
8072.073K	16.0x12.0 mm / 3'000K	4.3	2		
8072.074K	16.0x12.0 mm / 4'000K	4.3	2		
8072.076K	16.0x12.0 mm / 6'500K	3.9	2		
8072.143K	16.0x12.0 mm / 3'000K	8.9	2		
8072.144K	16.0x12.0 mm / 4'000K	8.9	2		
8072.146K	16.0x12.0 mm / 6'500K	8.1	2		
8072.14RG	16.0x12.0 mm / RGB	8.9	2		
8073.073K	16.0x12.0 mm / 3'000K	4.3	3		
8073.074K	16.0x12.0 mm / 4'000K	4.3	3		
8073.076K	16.0x12.0 mm / 6'500K	3.9	3		
8073.143K	16.0x12.0 mm / 3'000K	8.9	3		
8073.144K	16.0x12.0 mm / 4'000K	8.9	3		
8073.146K	16.0x12.0 mm / 6'500K	8.1	3		
8073.14RG	16.0x12.0 mm / RGB	8.9	3		
8081.073K	45° / 3'000K	4.3	1		
8081.074K	45° / 4'000K	4.3	1		
8081.076K	45° / 6'500K	3.9	1		
8081.143K	45° / 3'000K	8.9	1		
8081.144K	45° / 4'000K	8.9	1		
8081.146K	45° / 6'500K	8.1	1		
8081.14RG	45° / RGB	8.9	1		
8082.073K	45° / 3'000K	4.3	2		
8082.074K	45° / 4'000K	4.3	2		
8082.076K	45° / 6'500K	3.9	2		
8082.143K	45° / 3'000K	8.9	2		
8082.144K	45° / 4'000K	8.9	2		
8082.146K	45° / 6'500K	8.1	2		
8082.14RG	45° / RGB	8.9	2		
8083.073K	45° / 3'000K	4.3	3		
8083.074K	45° / 4'000K	4.3	3		
8083.076K	45° / 6'500K	3.9	3		
8083.143K	45° / 3'000K	8.9	3		
8083.144K	45° / 4'000K	8.9	3		
8083.146K	45° / 6'500K	8.1	3		
8083.14RG	45° / RGB	8.9	3		
8091.073K	18.0x8.6 mm / 3'000K	4.3	1		
8091.074K	18.0x8.6 mm / 4'000K	4.3	1		
8091.076K	18.0x8.6 mm / 6'500K	3.9	1		
8091.143K	18.0x8.6 mm / 3'000K	8.9	1		
8091.144K	18.0x8.6 mm / 4'000K	8.9	1		
8091.146K	18.0x8.6 mm / 6'500K	8.1	1		
8091.14RG	18.0x8.6 mm / RGB	8.9	1		
8092.073K	18.0x8.6 mm / 3'000K	4.3	2		
8092.074K	18.0x8.6 mm / 4'000K	4.3	2		
8092.076K	18.0x8.6 mm / 6'500K	3.9	2		
8092.143K	18.0x8.6 mm / 3'000K	8.9	2		
8092.144K	18.0x8.6 mm / 4'000K	8.9	2		
8092.146K	18.0x8.6 mm / 6'500K	8.1	2		
8092.14RG	18.0x8.6 mm / RGB	8.9	2		
8093.073K	18.0x8.6 mm / 3'000K	4.3	3		

Artikel Nummer	Artikelbeschreibung	Watt		Anzahl Stück	Total CHF
8093.074K	18.0x8.6 mm / 4'000K	4.3	3		
8093.076K	18.0x8.6 mm / 6'500K	3.9	3		
8093.143K	18.0x8.6 mm / 3'000K	8.9	3		
8093.144K	18.0x8.6 mm / 4'000K	8.9	3		
8093.146K	18.0x8.6 mm / 6'500K	8.1	3		
8093.14RG	18.0x8.6 mm / RGB	8.9	3		
8111.073K	19.0x16.0 mm / 3'000K	4.3	1		
8111.074K	19.0x16.0 mm / 4'000K	4.3	1		
8111.076K	19.0x16.0 mm / 6'500K	3.9	1		
8111.143K	19.0x16.0 mm / 3'000K	8.9	1		
8111.144K	19.0x16.0 mm / 4'000K	8.9	1		
8111.146K	19.0x16.0 mm / 6'500K	8.1	1		
8111.14RG	19.0x16.0 mm / RGB	8.9	1		
8112.073K	19.0x16.0 mm / 3'000K	4.3	2		
8112.074K	19.0x16.0 mm / 4'000K	4.3	2		
8112.076K	19.0x16.0 mm / 6'500K	3.9	2		
8112.143K	19.0x16.0 mm / 3'000K	8.9	2		
8112.144K	19.0x16.0 mm / 4'000K	8.9	2		
8112.146K	19.0x16.0 mm / 6'500K	8.1	2		
8112.14RG	19.0x16.0 mm / RGB	8.9	2		
8113.073K	19.0x16.0 mm / 3'000K	4.3	3		
8113.074K	19.0x16.0 mm / 4'000K	4.3	3		
8113.076K	19.0x16.0 mm / 6'500K	3.9	3		
8113.143K	19.0x16.0 mm / 3'000K	8.9	3		
8113.144K	19.0x16.0 mm / 4'000K	8.9	3		
8113.146K	19.0x16.0 mm / 6'500K	8.1	3		
8113.14RG	19.0x16.0 mm / RGB	8.9	3		
8121.073K	18.0x8.6 mm / 3'000K	4.3	1		
8121.074K	18.0x8.6 mm / 4'000K	4.3	1		
8121.076K	18.0x8.6 mm / 6'500K	3.9	1		
8121.143K	18.0x8.6 mm / 3'000K	8.9	1		
8121.144K	18.0x8.6 mm / 4'000K	8.9	1		
8121.146K	18.0x8.6 mm / 6'500K	8.1	1		
8121.14RG	18.0x8.6 mm / RGB	8.9	1		
8122.073K	18.0x8.6 mm / 3'000K	4.3	2		
8122.074K	18.0x8.6 mm / 4'000K	4.3	2		
8122.076K	18.0x8.6 mm / 6'500K	3.9	2		
8122.143K	18.0x8.6 mm / 3'000K	8.9	2		
8122.144K	18.0x8.6 mm / 4'000K	8.9	2		
8122.146K	18.0x8.6 mm / 6'500K	8.1	2		
8122.14RG	18.0x8.6 mm / RGB	8.9	2		
8123.073K	18.0x8.6 mm / 3'000K	4.3	3		
8123.074K	18.0x8.6 mm / 4'000K	4.3	3		
8123.076K	18.0x8.6 mm / 6'500K	3.9	3		
8123.143K	18.0x8.6 mm / 3'000K	8.9	3		
8123.144K	18.0x8.6 mm / 4'000K	8.9	3		
8123.146K	18.0x8.6 mm / 6'500K	8.1	3		
8123.14RG	18.0x8.6 mm / RGB	8.9	3		
8101.073K	81.0x40.0 mm / 3'000K	4.3	1		
8101.074K	81.0x40.0 mm / 4'000K	4.3	1		
8101.076K	81.0x40.0 mm / 6'500K	3.9	1		
8101.143K	81.0x40.0 mm / 3'000K	8.9	1		
8101.144K	81.0x40.0 mm / 4'000K	8.9	1		
8101.146K	81.0x40.0 mm / 6'500K	8.1	1		
8101.14RG	81.0x40.0 mm / RGB	8.9	1		
8102.073K	81.0x40.0 mm / 3'000K	4.3	2		
8102.074K	81.0x40.0 mm / 4'000K	4.3	2		
8102.076K	81.0x40.0 mm / 6'500K	3.9	2		
8102.143K	81.0x40.0 mm / 3'000K	8.9	2		
8102.144K	81.0x40.0 mm / 4'000K	8.9	2		
8102.146K	81.0x40.0 mm / 6'500K	8.1	2		
8102.14RG	81.0x40.0 mm / RGB	8.9	2		
8103.073K	81.0x40.0 mm / 3'000K	4.3	3		
8103.074K	81.0x40.0 mm / 4'000K	4.3	3		
8103.076K	81.0x40.0 mm / 6'500K	3.9	3		
8103.143K	81.0x40.0 mm / 3'000K	8.9	3		
8103.144K	81.0x40.0 mm / 4'000K	8.9	3		
8103.146K	81.0x40.0 mm / 6'500K	8.1	3		
8103.14RG	81.0x40.0 mm / RGB	8.9	3		
KSPK24035	Konstantspannungs-Konverter	3-35			
KSPK24060	Konstantspannungs-Konverter	5-60			
KSPK24100	Konstantspannungs-Konverter	10-100			
KSPK24150	Konstantspannungs-Konverter	20-150			
KSPDIMD120	Konstantspannungs-Dimmer	12			
KSPK4K75	Konstantspannungs-Konverter - 4-K. DALI Dim	0-75			
I99054	RGB Controller Kit - Master	120			
I99055	RGB Controller Kit - Slave	120			

Datum: _____

Unterschrift: _____